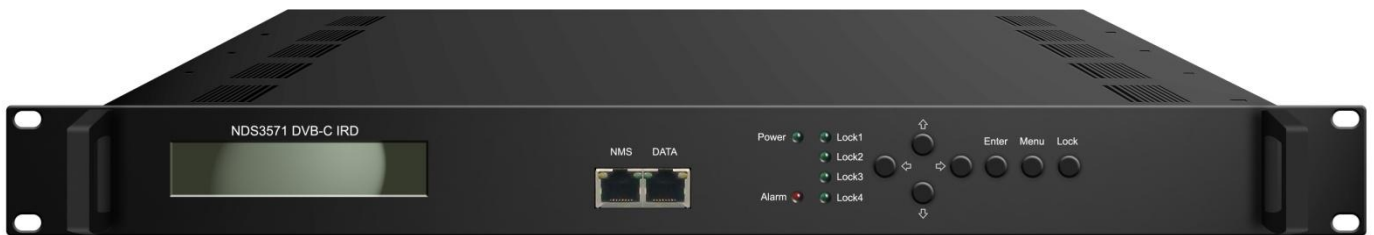




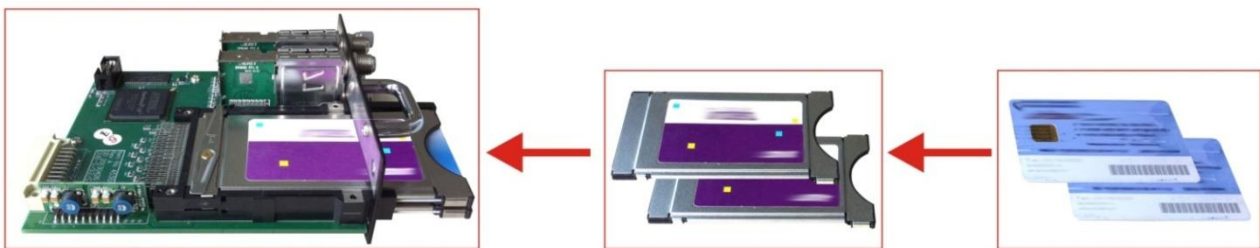
NDS357X

DVB-C, T/T2, S/S2 IRD

DVB-C, T/T2, S/S2 RF → ASI/IP



Demodulation Module = 2*RF/Loop out + 2*CAM + 2*Smartcard



Product Introduction

NDS357X IRD is DEXIN's new design which integrates demodulation (DVB-C, T/T2, S/S2 optional), de-scrambler in one case to convert RF signals into TS output after re-mux.

It is a 1-U case which supports 4 tuner inputs. The 4 CAMs/CIs accompanied can descramble the programs input from encrypted RF, ASI and IP. The CAM requires NO unsightly external power cords, cables, or additional remote control device.

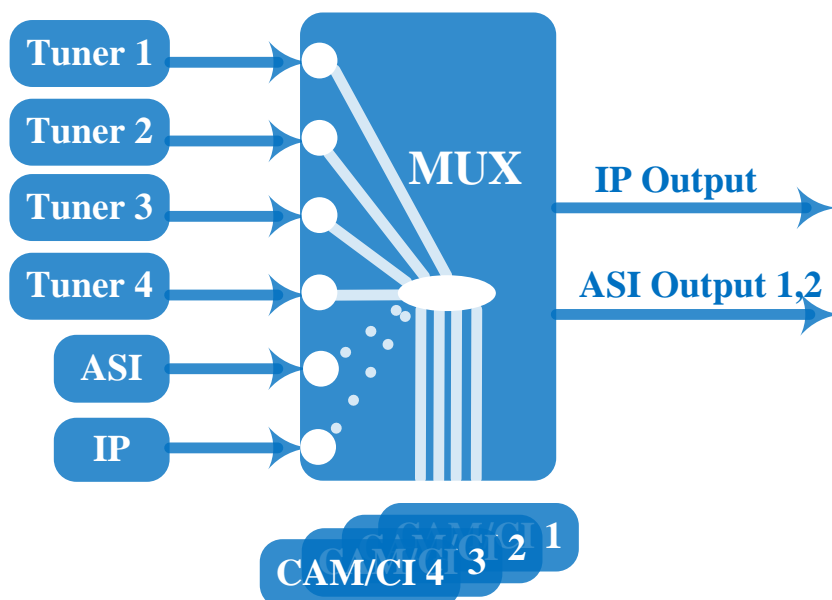
Its pluggable structure design greatly facilitates the change of Tuner modules as needed.

To meet customers' various requirements, NDS357X is also equipped with 1 ASI and 1 IP input for re-mux, and output with 2 ASI ports and IP port.

Key Features

- 4 Tuner inputs (DVB-C, T/T2, S/S2 Optional)
- 1 ASI & 1 IP (UDP) input for re-mux
- One CAM can decrypt multiple programs from Tuners/ASI/IP
- IP (1 MPTS & 8 SPTS) over UDP and RTP/RTSP output; ASI out
- Support maximum 128 PID mapping per input
- Pluggable and changeable demodulator modules
- LCD display, Remote control and Firmware, web NMS management
- Updates via web
- Best quality and breakthrough price

Principle Chart



Technical Specifications

Input

1 or 2 or 4x RF (DVB-C, T/T2, S/S2 optional), F type
1×ASI input for re-mux, BNC interface
1xIP input for re-mux (UDP)

Tuner Section

DVB-C

Standard	J.83A(DVB-C), J.83B, J.83C
Input Frequency	47 MHz~860 MHz
Constellation	16/32/64/128/256 QAM

DVB-T/T2

Input Frequency	44MHz ~1002 MHz
Bandwidth	6/7/8 M bandwidth

DVB-S

Input Frequency	950-2150MHz
Symbol rate	2-45Msps
Signal Strength	- 65- -25dBm
Constellation	1/2, 2/3, 3/4, 5/6, 7/8 QPSK

DVB-S2

Input Frequency	950-2150MHz
Symbol rate	QPSK 1~45Mbauds;

8PSK 2~30Mbauds

Code rate	1/2, 3/5, 2/3, 3/4, 4/5, 5/6, 8/9, 9/10
-----------	---

Constellation	QPSK, 8PSK
---------------	------------

Output

	1*MPTS & 8*SPTS over UDP, RTP/RTSP.
IP Output	100Base-T Ethernet interface (unicast / multicast)
2×ASI	BNC interface

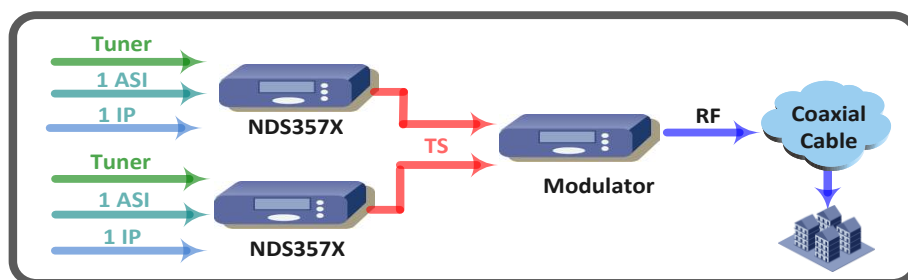
System

Local interface	LCD + control buttons
Remote management	Web NMS Management
Language	English

General

Power supply	AC 100V~240V
Dimensions	482*300*44.5mm
Weight	3 kgs
Operation temperature	0~45°C

System Connection Sample



Ordering Guide

NDS357X, 'X' should be interpreted as different digits which indicate tuners of different standard.

- ✓ NDS3571 DVB-C IRD
- ✓ NDS3574 DVB-T/T2 IRD
- ✓ NDS3575 DVB-S/S2 IRD

Our NDS357X IRD is modular design. The demodulation module is pluggable and changeable. We use different suffix digits to indicate different module combinations.

- ✓ NDS357X-40: 2* Dual-tuner modules
- ✓ NDS357X-20: 1* Dual-tuner module
- ✓ NDS357X-10: 1* Single-tuner module



All the specifications are subject to change without any further notice. All rights reserved.