

Multiplexer Series

NDS3107 series Multiplexer



NDS3107A ASI Input Multiplexer



NDS3107 Tuner Input Multiplexer

Outline

NDS3107 series multiplexer is an enhanced TS re-multiplexer for digital TV broadcasting head-end system. The multiplexer has all the functions of normal TS multiplexer, including programs multiplexing, PSI/SI editing, PID re-mapping, service filtering etc. Also the multiplexer can insert EPG (Electronic Program Guide), CA (Conditional Access) and data casting information into each output stream.

BISS function embedded will carefully descramble your tuner input programs. **(IN DEVELOPING)**

This multiplexer has 2 separate ASI output ports and one GE port for two separate gigabit IP outputs. Therein, the bit rate of output stream can be up to 216Mbps.



All the specifications are subject to change without any further notice. All rights reserved.

Add: No. 10 & No. 12, Wuxing Fourth Road, Wuhou District, Chengdu 610045, Sichuan, P.R. China

www.dsdvb.com/English Tel: +86-028-85558928 Fax: +86-028-85585255 Email: sunyu@dsvb.com

Multiplexer Series

NDS3107 series Multiplexer

Features

- Fully complying with ISO13818 and EN300 468 standard
- Integrated demodulating and multiplexing functions
- 6 Tuners (DVB-C/DVB-S/DVB-S2 /DVB-T/T2/ISDB-T/ATSC Optional) input
- Support BISS descrambling (**IN DEVELOPING**)
- 2 channels TS input for re-multiplexing
- SPTS and MPTS code stream multiplexing
- Support accurate PCR adjusting
- Support PID filtering, re-mapping
- Two groups (each group has 2 channels)separate TS outputs
- Support TS over UDP output as mirror of ASI output (RJ45), GE Port
- Support PSI/SI rebuilding and editing
- Huge buffer memory for saving the overflowing code stream
- Supporting to multiplex one program to all outputs
- Alarming function
- Network long-distance upgraded
- With high reliability design and stability operation
- LCD/keyboard and net management, support NMS/SNMP

Specifications

Input interface	2ASI+6 tuners (DVB-C/DVB-S/DVB-S2/DVB-T/DVB-T2/ISDB-T)	NDS3107
	2 ASI+6 tuner (ATSC)	NDS3107B
	8ASI	NDS3107A
Re-multiplex	2 channels TS re-multiplex	
	PID re-mapping (auto/manual optional)	
	PCR accurate adjusting	
	Automatic generating PSI/SI table	
Input	Packet format	204/188 self-adaption
Output port	ASI	2 groups separate outputs (each group has 2 channels)
	IP	TS over UDP output as mirror of ASI output(RJ45), GE Port
PID	Output range	0x0000—0x1FFF
	PID transparent	Any PID transparent and mapping achievable
	Amount of output PID per input	64



All the specifications are subject to change without any further notice. All rights reserved.

Add: No. 10&No. 12, Wuxing Fourth Road, Wuhou District, Chengdu 610045, Sichuan, P.R. China

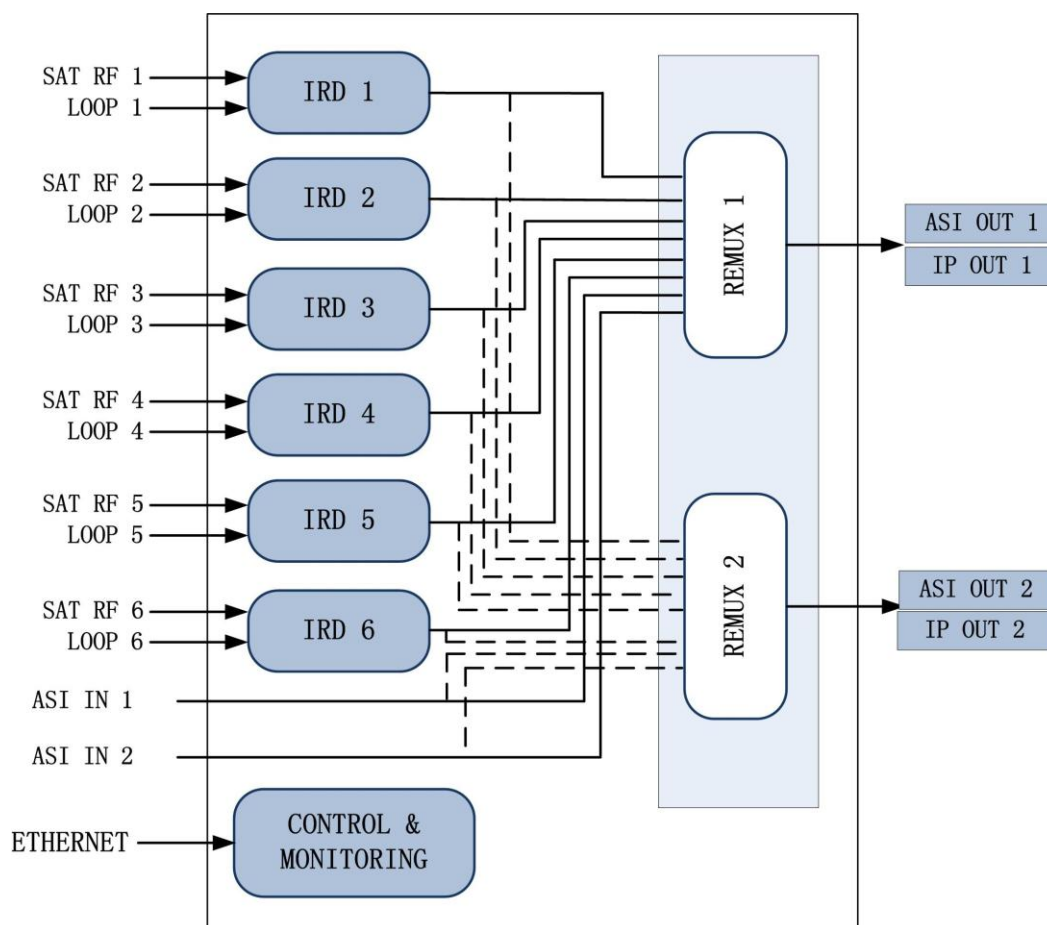
www.dsdtvb.com/English Tel: +86-028-85558928 Fax: +86-028-85585255 Email: sunyu@dsdtvb.com

Multiplexer Series

NDS3107 series Multiplexer

NMS port	Ethernet port	10/100M
General	Demission(WxLxH)	482mm×410mm×44mm
	Weight	6kg
	Temperature	0~45°C(operation), -20~80°C(storage)
	Power supply	AC 110V±10%, 50/60Hz Or AC 220V±10%, 50/60Hz
	Consumption	18W

Principle Chart



Multiplexer Series

NDS3107 series Multiplexer

Purchase information

NDS3107-C	2ASI+6 tuner(DVB-C) input	Gigabit IP output
NDS3107-S	2ASI+6 tuner(DVB-S) input	Gigabit IP output
NDS3107-S2	2ASI+6 tuner(DVB-S2) input	Gigabit IP output
NDS3107-T	2ASI+6 tuner(DVB-T) input	Gigabit IP output
NDS3107-T2	2ASI+6 tuner(DVB-T2) input	Gigabit IP output
NDS3107-ISDB	2ASI+6 tuner(ISDB-T) input	Gigabit IP output
NDS3107A	8 ASI Input	Gigabit IP output
NDS3107B	2ASI+6 tuner(ATSC) input	Gigabit IP output